



8702 Wire Stapler

Operation Manual

1, use

This wire stapler is used for binding books, magazine and booklets in copy shop, quick-printer, printing house, and so on.

- Cabinet appearance, easy operation, high efficiency.
- The function of saddle stitching and side stitching.

2, technical specifications

Binding Thickness: 0.008"-0.2" (0.2-5mm)

Binding Speed: 0-80 times/min

Binding Way: saddle stitching, side stitching

Staple Width: 0.51" (13mm)

Wire Model: 25#, 26#

Power Supply: 110V/60HZ/100W

Packing Size: 26"×17"×14.2" (660×430×360mm)

Machine Weight: 75 lbs (34KG)

3, usage and adjustment

1), the usage of machine

First plug in the machine, switch on the machine, then select binding way (saddle stitching or side stitching) according to the need of products, finally tread on the foot switch to start work.

How to select binding way: loosen the small handles of two sides under the work table, laying down the work table is for saddle stitching, and putting up the work table is for side stitching.

2), the adjustment of binding thickness (as shown in Figure 1)

The adjusting range is 1-40 sheets (A4 copy paper). When adjusting the binding thickness, observe the corresponding scale on the ruler, then turn the adjusting handle (1 in Figure 1), turning clockwise makes binding thickness decrease, turning anticlockwise makes binding thickness increase.

3), the adjustment of binding head

a, the adjustment of wire length

First remove the front cover (6 in Figure 1), adjust the wire length according to binding thickness. Loosen the screw (3 in Figure 2), adjust the small shifting fork (2 in Figure 2), turning right makes the wire long, and turning left makes the wire short. After finishing the adjustment, lock the screw (3 in Figure 2).

b, when the wire is bent overly, transferring wire and binding effect will be impacted. We should adjust respectively the straightening wheels on the plate spring (14 in Figure 2) and the cover plate (9 in Figure 2). Loosen the screw (11 in Figure 2), turn the eccentric column (10 in Figure 2), then lock the screw (11 in Figure 2). The straightening device on the plate spring is the same as the one on the cover plate.

c, if the wire is easy to be broken, which mainly is because of the incorrect relative location between the forming device (6 in Figure 2) and the plate (7 in Figure 2), please loosen the screw fastening the forming stand, then adjust the position of the stand of the forming device till it's ok.

4), how to select the wire type and change the wire?

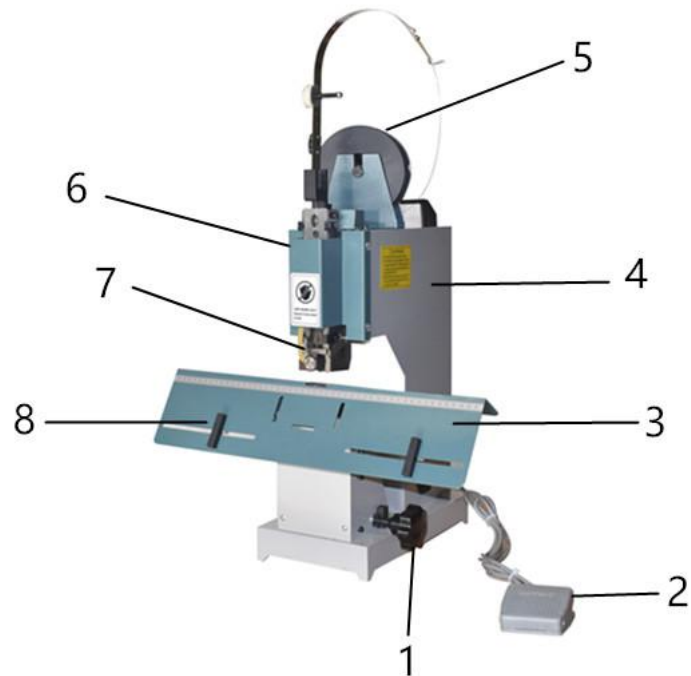
a, 25# and 26# wire are used for the machine. Select the wire model according to the product thickness. 25# is suitable for binding hard paper and more paper. 26# is suitable for binding thin paper and lesser paper.

b, Changing the wire is shown in Figure 3.

Notice:

Don't put your hands under the head of machine when the machine works for avoiding harm. Also don't put other metal goods into the head of the machine for avoiding the damaged.

Figure 1: the structure of machine



1 Adjusting Handle

2 Foot Switch

3 Work Table

4 Machine Body

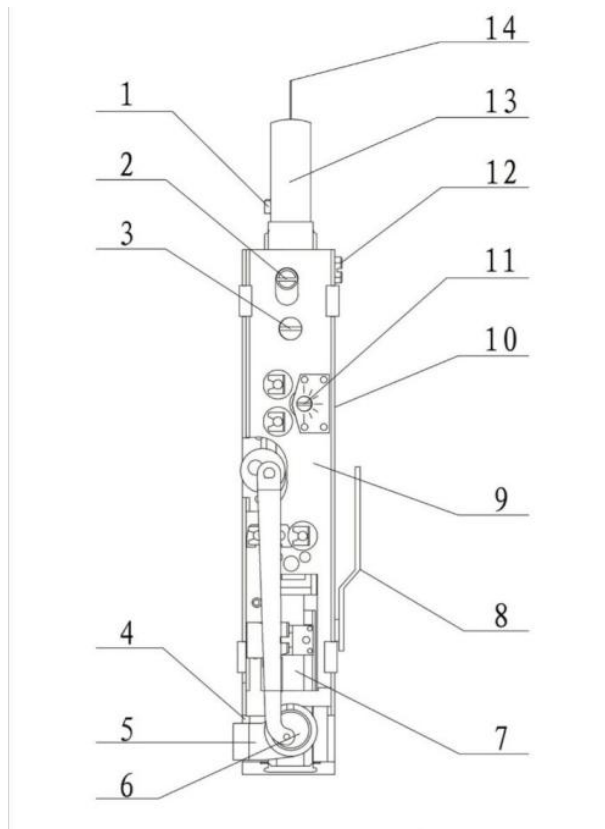
5 Wire

6 Cover

7 Stitching Head

8 Locating Magnet

Figure 2: the structure of machine head



1 stew 2 small shifting fork 3 stew 4 cutting blade
 5 stand of forming device 6 forming device 7 plate
 8 locking handle 9 cover plate 10 eccentric column
 11 stew 12 stew 13 U-type head 14 plate spring

Figure 3: the installation diagram of wire

